



PLASTIC DESIGN INC

Specializing in plastic fabrication & plastic components

3-4 DRAWER CABINET COMBO

3-Drawer Cabinet Combo

| Part Number | Width | Height | Depth | Price |
|-------------|-------|--------|-------|-------|
| PD-C35-3030 | 30" | 29" | 22" | * |
| PD-C35-3630 | 36" | 29" | 22" | * |
| PD-C35-4230 | 42" | 29" | 22" | * |
| PD-C35-4830 | 48" | 29" | 22" | * |
| PD-C35-3036 | 30" | 35" | 22" | * |
| PD-C35-3636 | 36" | 35" | 22" | * |
| PD-C35-4236 | 42" | 35" | 22" | * |
| PD-C35-4836 | 48" | 35" | 22" | * |



4-Drawer Cabinet Combo

| Part Number | Width | Height | Depth | Price |
|-------------|-------|--------|-------|-------|
| PD-C45-3030 | 30" | 29" | 22" | * |
| PD-C45-3630 | 36" | 29" | 22" | * |
| PD-C45-4230 | 42" | 29" | 22" | * |
| PD-C45-4830 | 48" | 29" | 22" | * |
| PD-C45-3036 | 30" | 35" | 22" | * |
| PD-C45-3636 | 36" | 35" | 22" | * |
| PD-C45-4236 | 42" | 35" | 22" | * |
| PD-C45-4836 | 48" | 35" | 22" | * |



*Please call for current pricing



PLASTIC DESIGN INC

Specializing in plastic fabrication & plastic components

BASIC 3-4-5 DRAWER UNITS

3-Drawer Basic Unit

| Part Number | Width | Height | Depth | Price |
|-------------|-------|--------|-------|-------|
| PD-D30-1830 | 18" | 29" | 22" | * |
| PD-D30-2430 | 24" | 29" | 22" | * |
| PD-D30-3030 | 30" | 29" | 22" | * |
| PD-D30-3630 | 36" | 29" | 22" | * |
| PD-D30-1836 | 18" | 35" | 22" | * |
| PD-D30-2436 | 24" | 35" | 22" | * |
| PD-D30-3036 | 30" | 35" | 22" | * |
| PD-D30-3636 | 36" | 35" | 22" | * |



4-Drawer Basic Unit

| Part Number | Width | Height | Depth | Price |
|-------------|-------|--------|-------|-------|
| PD-D40-1830 | 18" | 29" | 22" | * |
| PD-D40-2430 | 24" | 29" | 22" | * |
| PD-D40-3030 | 30" | 29" | 22" | * |
| PD-D40-3630 | 36" | 29" | 22" | * |
| PD-D40-1836 | 18" | 35" | 22" | * |
| PD-D40-2436 | 24" | 35" | 22" | * |
| PD-D40-3036 | 30" | 35" | 22" | * |
| PD-D40-3636 | 36" | 35" | 22" | * |



5-Drawer Basic Unit

| Part Number | Width | Height | Depth | Price |
|-------------|-------|--------|-------|-------|
| PD-D50-1830 | 18" | 29" | 22" | * |
| PD-D50-2430 | 24" | 29" | 22" | * |
| PD-D50-3030 | 30" | 29" | 22" | * |
| PD-D50-3630 | 36" | 29" | 22" | * |
| PD-D50-1836 | 18" | 35" | 22" | * |
| PD-D50-2436 | 24" | 35" | 22" | * |
| PD-D50-3036 | 30" | 35" | 22" | * |
| PD-D50-3636 | 36" | 35" | 22" | * |



*Please call for current pricing



PLASTIC DESIGN INC

Specializing in plastic fabrication & plastic components

BASIC 6 & 8 DRAWER UNITS

6-Drawer Basic Unit

| Part Number | Width | Height | Depth | Price |
|-------------|-------|--------|-------|-------|
| PD-D60-1830 | 18" | 29" | 22" | * |
| PD-D60-2430 | 24" | 29" | 22" | * |
| PD-D60-3030 | 30" | 29" | 22" | * |
| PD-D60-3630 | 36" | 29" | 22" | * |
| PD-D60-1836 | 18" | 35" | 22" | * |
| PD-D60-2436 | 24" | 35" | 22" | * |
| PD-D60-3036 | 30" | 35" | 22" | * |
| PD-D60-3636 | 36" | 35" | 22" | * |



6-Drawer Combo Unit

| Part Number | Width | Height | Depth | Price |
|-------------|-------|--------|-------|-------|
| PD-D65-3630 | 36" | 29" | 22" | * |
| PD-D65-4230 | 42" | 29" | 22" | * |
| PD-D65-4830 | 48" | 29" | 22" | * |
| PD-D65-3636 | 36" | 35" | 22" | * |
| PD-D65-4236 | 42" | 35" | 22" | * |
| PD-D65-4836 | 48" | 35" | 22" | * |



8-Drawer Basic Unit

| Part Number | Width | Height | Depth | Price |
|-------------|-------|--------|-------|-------|
| PD-D80-3630 | 36" | 29" | 22" | * |
| PD-D80-4230 | 42" | 29" | 22" | * |
| PD-D80-4830 | 48" | 29" | 22" | * |
| PD-D80-3636 | 36" | 35" | 22" | * |
| PD-D80-4236 | 42" | 35" | 22" | * |
| PD-D80-4836 | 48" | 35" | 22" | * |



*Please call for current pricing



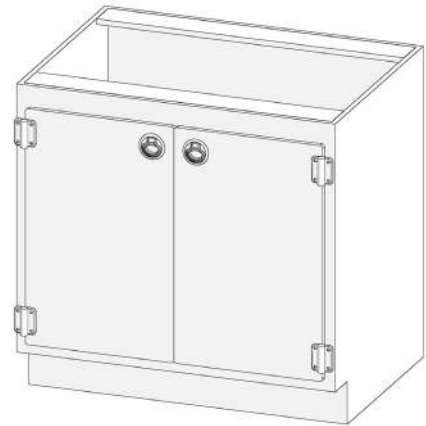
PLASTIC DESIGN INC

Specializing in plastic fabrication & plastic components

DOUBLE DOOR STORAGE UNITS

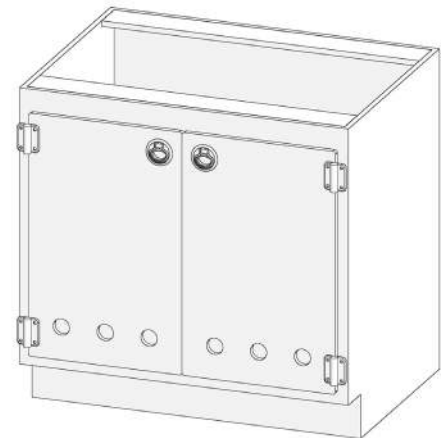
Double Door Storage Unit

| Part Number | Width | Height | Depth | Price |
|-------------|-------|--------|-------|-------|
| PD-S20-3030 | 30" | 29" | 22" | * |
| PD-S20-3630 | 36" | 29" | 22" | * |
| PD-S20-4230 | 42" | 29" | 22" | * |
| PD-S20-4830 | 48" | 29" | 22" | * |
| PD-S20-3036 | 30" | 35" | 22" | * |
| PD-S20-3636 | 36" | 35" | 22" | * |
| PD-S20-4236 | 42" | 35" | 22" | * |
| PD-S20-4836 | 48" | 35" | 22" | * |



Double Door Vented Storage Unit

| Part Number | Width | Height | Depth | Price |
|-------------|-------|--------|-------|-------|
| PD-S25-3030 | 30" | 29" | 22" | * |
| PD-S25-3630 | 36" | 29" | 22" | * |
| PD-S25-4230 | 42" | 29" | 22" | * |
| PD-S25-4830 | 48" | 29" | 22" | * |
| PD-S25-3036 | 30" | 35" | 22" | * |
| PD-S25-3636 | 36" | 35" | 22" | * |
| PD-S25-4236 | 42" | 35" | 22" | * |
| PD-S25-4836 | 48" | 35" | 22" | * |



*Please call for current pricing



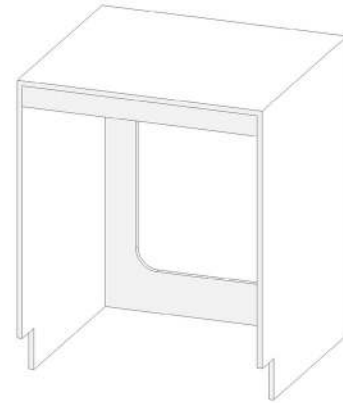
PLASTIC DESIGN INC

Specializing in plastic fabrication & plastic components

OPEN BASE CABINETS

Knee Space Unit

| Part Number | Width | Height | Depth | Price |
|-------------|-------|--------|-------|-------|
| PD-B10-1830 | 18" | 29" | 22" | * |
| PD-B10-2430 | 24" | 29" | 22" | * |
| PD-B10-3030 | 30" | 29" | 22" | * |
| PD-B10-3630 | 36" | 29" | 22" | * |
| PD-B10-1836 | 18" | 35" | 22" | * |
| PD-B10-2436 | 24" | 35" | 22" | * |
| PD-B10-3036 | 30" | 35" | 22" | * |
| PD-B10-3636 | 36" | 35" | 22" | * |



*Please call for current pricing



PLASTIC DESIGN INC

Specializing in plastic fabrication & plastic components

SINGLE & DOUBLE DRAWER CABINET COMBO UNITS

Single Drawer Cabinet Combo Unit

| Part Number | Width | Height | Depth | Price |
|---------------|-------|--------|-------|-------|
| PD-C10-1830-L | 18" | 29" | 22" | * |
| PD-C10-1830-R | 18" | 29" | 22" | * |
| PD-C10-2430-L | 24" | 29" | 22" | * |
| PD-C10-2430-R | 24" | 29" | 22" | * |
| PD-C10-3030 | 30" | 29" | 22" | * |
| PD-C10-3630 | 36" | 29" | 22" | * |
| PD-C10-1836-L | 18" | 35" | 22" | * |
| PD-C10-1836-R | 18" | 35" | 22" | * |
| PD-C10-2436-L | 24" | 35" | 22" | * |
| PD-C10-2436-R | 24" | 35" | 22" | * |
| PD-C10-3036 | 30" | 35" | 22" | * |
| PD-C10-3636 | 36" | 35" | 22" | * |



Double Drawer Cabinet Combo Unit

| Part Number | Width | Height | Depth | Price |
|-------------|-------|--------|-------|-------|
| PD-C20-3030 | 30" | 29" | 22" | * |
| PD-C20-3630 | 36" | 29" | 22" | * |
| PD-C20-4230 | 42" | 29" | 22" | * |
| PD-C20-4830 | 48" | 29" | 22" | * |
| PD-C20-3036 | 30" | 35" | 22" | * |
| PD-C20-3636 | 36" | 35" | 22" | * |
| PD-C20-4236 | 42" | 35" | 22" | * |
| PD-C20-4836 | 48" | 35" | 22" | * |



*Please call for current pricing



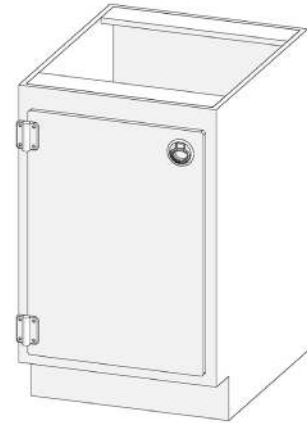
PLASTIC DESIGN INC

Specializing in plastic fabrication & plastic components

SINGLE DOOR STORAGE CABINETS

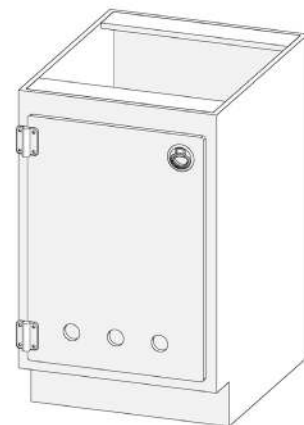
Single Door Storage Cabinet

| Part Number | Width | Height | Depth | Price |
|---------------|-------|--------|-------|-------------|
| PD-S10-1830-L | 18" | 29" | 22" | Left Hinge |
| PD-S10-1830-R | 18" | 29" | 22" | Right Hinge |
| PD-S10-2430-L | 24" | 29" | 22" | Left Hinge |
| PD-S10-2430-R | 24" | 29" | 22" | Right Hinge |
| PD-S10-3030 | 30" | 29" | 22" | Double Door |
| PD-S10-3630 | 36" | 29" | 22" | Double Door |
| PD-S10-1836-L | 18" | 35" | 22" | Left Hinge |
| PD-S10-1836-R | 18" | 35" | 22" | Right Hinge |
| PD-S10-2436-L | 24" | 35" | 22" | Left Hinge |
| PD-S10-2436-R | 24" | 35" | 22" | Right Hinge |
| PD-S10-3036 | 30" | 35" | 22" | Double Door |
| PD-S10-3636 | 36" | 35" | 22" | Double Door |



Single Door Vented Storage Cabinet

| Part Number | Width | Height | Depth | Price |
|---------------|-------|--------|-------|-------------|
| PD-S15-1830-L | 18" | 29" | 22" | Left Hinge |
| PD-S15-1830-R | 18" | 29" | 22" | Right Hinge |
| PD-S15-2430-L | 24" | 29" | 22" | Left Hinge |
| PD-S15-2430-R | 24" | 29" | 22" | Right Hinge |
| PD-S1053030 | 30" | 29" | 22" | Double Door |
| PD-S15-3630 | 36" | 29" | 22" | Double Door |
| PD-S15-1836-L | 18" | 35" | 22" | Left Hinge |
| PD-S15-1836-R | 18" | 35" | 22" | Right Hinge |
| PD-S15-2436-L | 24" | 35" | 22" | Left Hinge |
| PD-S15-2436-R | 24" | 35" | 22" | Right Hinge |
| PD-S15-3036 | 30" | 35" | 22" | Double Door |
| PD-S15-3636 | 36" | 35" | 22" | Double Door |



*Please call for current pricing



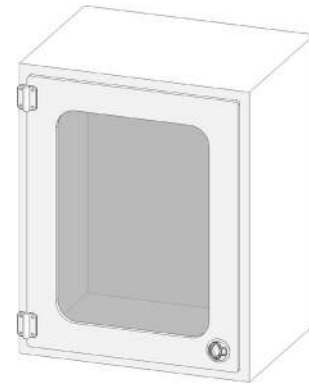
PLASTIC DESIGN INC

Specializing in plastic fabrication & plastic components

SINGLE & DOUBLE DOOR WALL UNITS WITH WINDOW

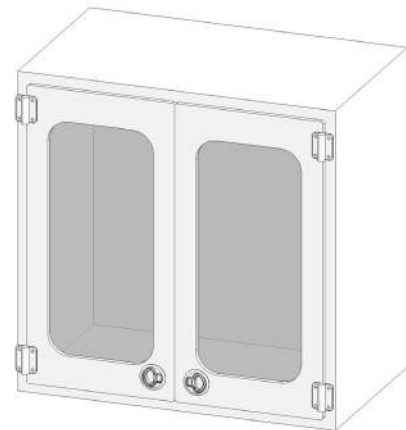
Single Door Wall Unit (with window)

| Part Number | Width | Height | Depth | Price |
|----------------|-------|--------|-------|-------|
| PD-W15W-1830-L | 18" | 29" | 12" | * |
| PD-W15W-1830-R | 18" | 29" | 12" | * |
| PD-W15W-2430-L | 24" | 29" | 12" | * |
| PD-W15W-1836-L | 18" | 35" | 12" | * |
| PD-W15W-1836-R | 18" | 35" | 12" | * |
| PD-W15W-2436-L | 24" | 35" | 12" | * |
| PD-W15W-2436-R | 24" | 35" | 12" | * |



Double Door Wall Unit (with window)

| Part Number | Width | Height | Depth | Price |
|--------------|-------|--------|-------|-------|
| PD-W20W-3030 | 30" | 29" | 12" | * |
| PD-W20W-3630 | 36" | 29" | 12" | * |
| PD-W20W-4230 | 42" | 29" | 12" | * |
| PD-W20W-4830 | 48" | 29" | 12" | * |
| PD-W20W-3036 | 30" | 35" | 12" | * |
| PD-W20W-3636 | 36" | 35" | 12" | * |
| PD-W20W-4236 | 42" | 35" | 12" | * |
| PD-W20W-4836 | 48" | 35" | 12" | * |



*Please call for current pricing



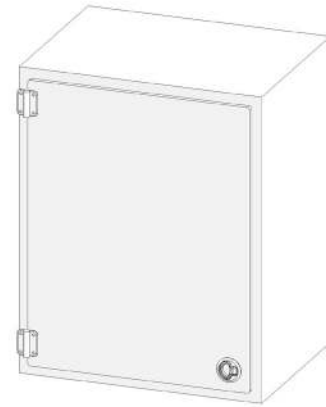
PLASTIC DESIGN INC

Specializing in plastic fabrication & plastic components

SINGLE & DOUBLE DOOR WALL UNITS

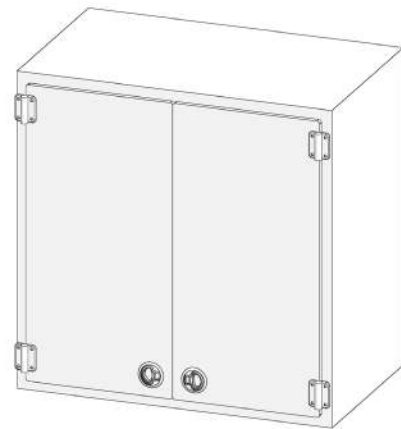
Single Door Wall Unit

| Part Number | Width | Height | Depth | Price |
|---------------|-------|--------|-------|-------|
| PD-W15-1830-L | 18" | 29" | 12" | * |
| PD-W15-1830-R | 18" | 29" | 12" | * |
| PD-W15-2430-L | 24" | 29" | 12" | * |
| PD-W15-2430-R | 24" | 29" | 12" | * |
| PD-W15-1836-L | 18" | 35" | 12" | * |
| PD-W15-1836-R | 18" | 35" | 12" | * |
| PD-W15-2436-L | 24" | 35" | 12" | * |
| PD-W15-2436-R | 24" | 35" | 12" | * |



Double Door Wall Unit

| Part Number | Width | Height | Depth | Price |
|-------------|-------|--------|-------|-------|
| PD-W20-3030 | 30" | 29" | 12" | * |
| PD-W20-3630 | 36" | 29" | 12" | * |
| PD-W20-4230 | 42" | 29" | 12" | * |
| PD-W20-4830 | 48" | 29" | 12" | * |
| PD-W20-3036 | 30" | 35" | 12" | * |
| PD-W20-3636 | 36" | 35" | 12" | * |
| PD-W20-4236 | 42" | 35" | 12" | * |
| PD-W20-4836 | 48" | 35" | 12" | * |



*Please call for current pricing



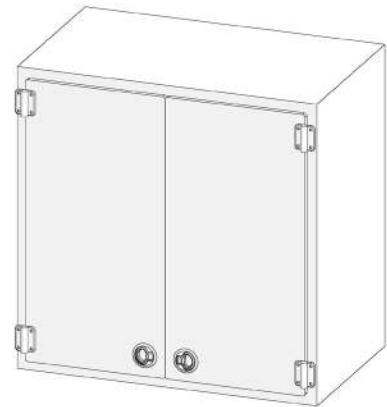
PLASTIC DESIGN INC

Specializing in plastic fabrication & plastic components

WALL UNITS

Double Door Wall Unit

| Part Number | Width | Height | Depth | Price |
|-------------|-------|--------|-------|-------|
| PD-W20-3030 | 30" | 29" | 22" | * |
| PD-W20-3630 | 36" | 29" | 22" | * |
| PD-W20-4230 | 42" | 29" | 22" | * |
| PD-W20-4830 | 48" | 29" | 22" | * |
| PD-W20-3036 | 30" | 35" | 22" | * |
| PD-W20-3636 | 36" | 35" | 22" | * |
| PD-W20-4236 | 42" | 35" | 22" | * |
| PD-W20-4836 | 48" | 35" | 22" | * |



Wall Unit With Sliding Doors

| Part Number | Width | Height | Depth | Price |
|-------------|-------|--------|-------|-------|
| PD-W25-3030 | 30" | 29" | 22" | * |
| PD-W25-3630 | 36" | 29" | 22" | * |
| PD-W25-4230 | 42" | 29" | 22" | * |
| PD-W25-4830 | 48" | 29" | 22" | * |
| PD-W25-3036 | 30" | 35" | 22" | * |
| PD-W25-3636 | 36" | 35" | 22" | * |
| PD-W25-4236 | 42" | 35" | 22" | * |
| PD-W2054836 | 48" | 35" | 22" | * |



*Please call for current pricing